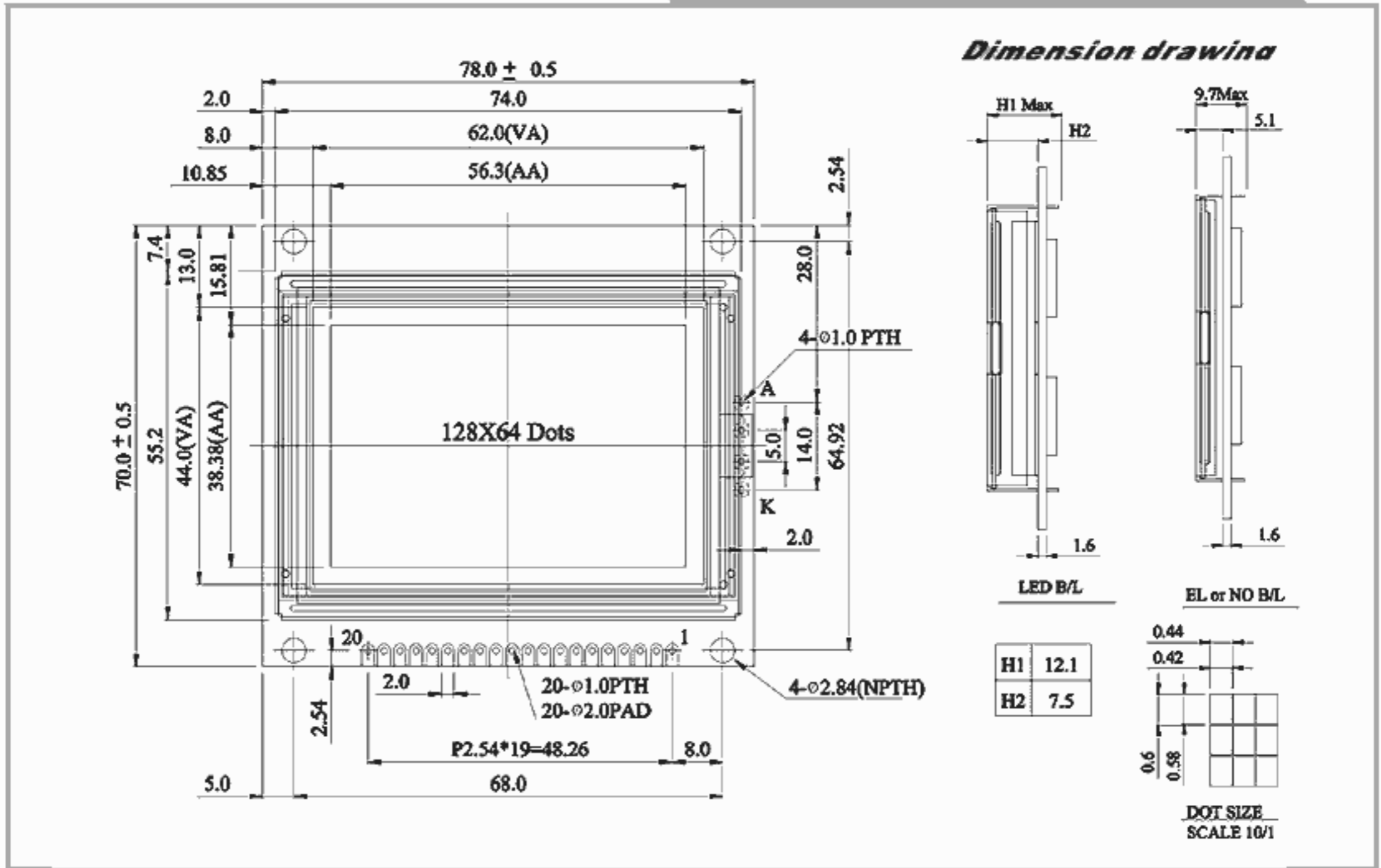


**WG12864G** Graphic 128x64dots



**Feature**

1. Built-in controller TOSHIBA- (T6963C)
2. +5V power supply
3. 1/64 duty cycle
4. N.V Built-in

Pin NO.	Symbol	Function
1	FG/Vee	Frame Ground/ N/V
2	Vss	Power Supply(0V)
3	Vdd	Power supply (+5V)
4	Vo	Power supply for LCD driver
5	WR	Data write
6	RD	Data read
7	CE	Chip enable
8	CD	Command/data read/write
9	RST	Controller reset
10	DB0	Data bus line
11	DB1	Data bus line
12	DB2	Data bus line
13	DB3	Data bus line
14	DB4	Data bus line
15	DB5	Data bus line
16	DB6	Data bus line
17	DB7	Data bus line
18	FS	Font select
19	A	Power supply for LED B/L (+4.2V)RA=0Ω
20	K	Power supply for LED B/L (0V)

**Mechanical Data**

Item	Standard Value	Unit
Module Dimension	78.0x70.0x12.1	mm
Viewing Area	62.0x44.0	mm
Mounting hole	68.0x 64.9	mm
Dot Pitch	0.44x0.6	mm

Graphic type

**Absolute Maximum Rating**

Item	Symbol	Standard Value			Unit
		min.	typ.	max.	
Power Supply	VDD-VSS	4.5	5.0	5.5	V
Input Voltage	VI	-0.3	---	VDD	V

Note : VSS=0 Volt, VDD=5.0 Volt.

**Electronical Characteristics**

Item	Symbol	Condition	Standard Value			Unit		
			min.	typ.	max.			
Input Voltage	VDD	L level	0.7V <sub>DD</sub>	---	V <sub>DD</sub>	V		
	VIO	H level	0	---	0.3V <sub>DD</sub>	V		
Supply Current	IDD	VDD=5V	---	11.2	11.8	mA		
Recommended LC Driving Voltage for Normal Temp. Version module	VDD-V0	0°C	9.4	9.9	10.4	V		
		25°C	9.4	9.6	10.4			
		50°C	8.7	9.2	9.7			
LED Forward Voltage	VF	25°C	---	4.2	---	V		
LED Forward Current	IF	25°C	Array	High	---	480	960	mA
		Low	---	140	280	mA		
EL Power Supply Current	IEL	VI=110VAC;400Hz	---	---	5.0	mA		